

PHILCO

REG. U.S. PAT. OFF.

Service Bulletin—No. 159

Model 57

THE PHILCO RADIO MODEL 57 is a four-tube superheterodyne receiver, combining standard broadcast and police reception and employs the new Philco high efficiency tubes with pentode output and electro dynamic speaker. The same superheterodyne circuit is used for standard broadcast and police reception. The intermediate frequency for tuning the I. F. transformer is 460 kilocycles. The power consumption of the Model 57 is 46 watts.

Table 1—Tube Socket Data*—Power Line Voltage 115 Volts

Circuit	Det. Osc.	2nd Det.	Output	Rectifier
Type Tube	77	77	42	80
Filament Volts—F to F.....	6.3	6.3	6.3	4.8
Plate Volts—P to K.....	235	45	235	300
Screen Grid Volts—SG to K.....	110	35	250
Control Grid Volts—CG to K.....	10.5	.25	.25
Cathode Volts—K to F.....	25	15	15

Table 2—Power Transformer Data

Terminal	A. C. Volts	Circuit	Color
1- 2	105-125	Primary	White
3- 5	6.3	Filament	Black
6- 7	5.0	Filament of 80	Blue
8-10	580	Plates of 80	Yellow
4	...	Center Tap of 3-5	Black-Yellow Tracer
9	...	Center Tap of 8-10	Yellow-Green Tracer

* All of the above readings were taken from the underside of the chassis, using test prods and leads with a suitable A. C. voltmeter for filament voltages and a high resistance multirange D. C. voltmeter for all other readings. Volume control at maximum and station selector turned to low frequency end. Readings taken with a radio set tester and plug-in adapter will NOT be satisfactory.

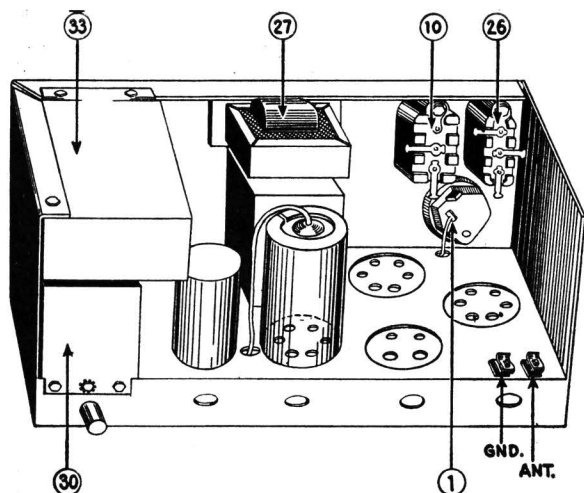


Fig. 1—Top View of Chassis, Showing Parts

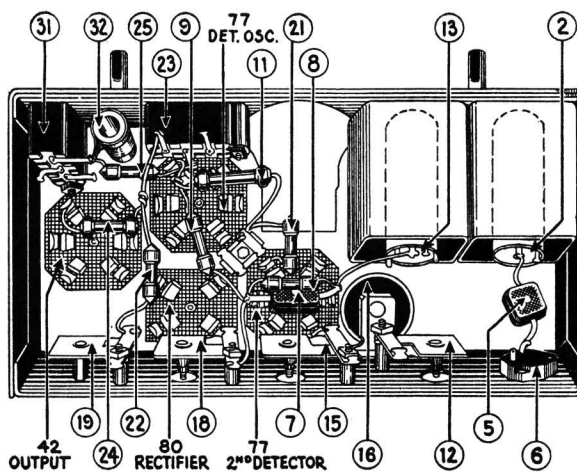
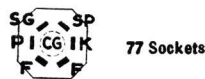


Fig. 2—Bottom View of Chassis, Showing Parts



Terminal Arrangement of Tube Sockets Viewed From Under Side of Chassis.

